

18. Water testing

The objective of bacteriological testing of water is to detect and determine the concentration of faecal bacteria in water supplies in order to:

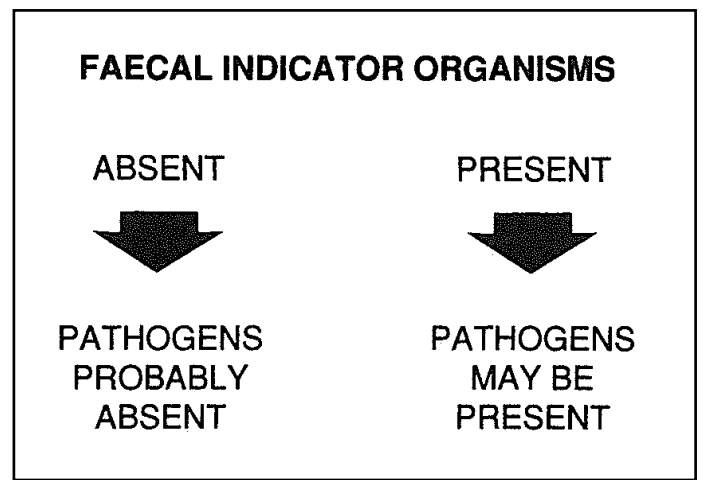


Diagram A

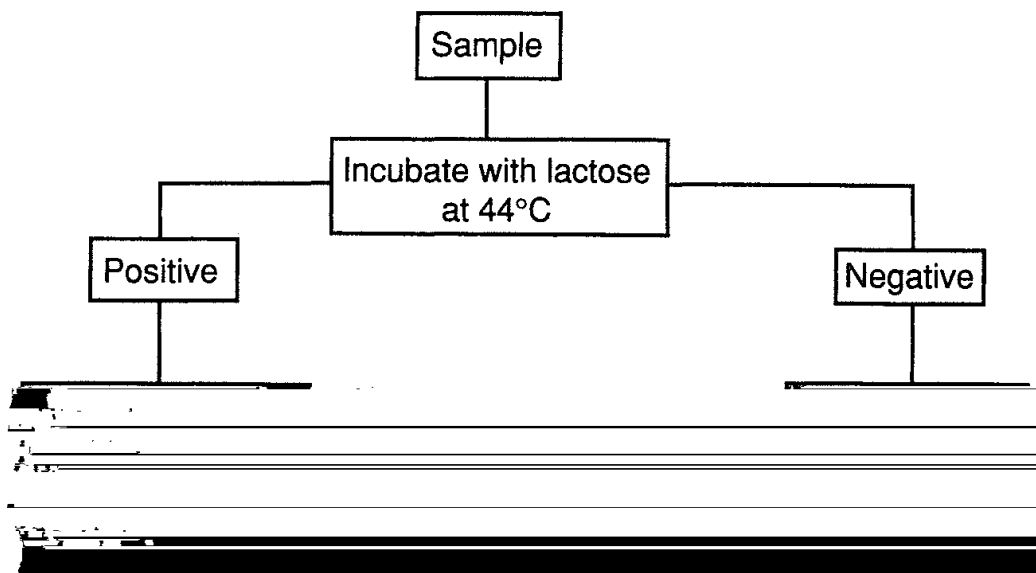


Diagram B

b) Most probable number (MPN) multiple-tube method

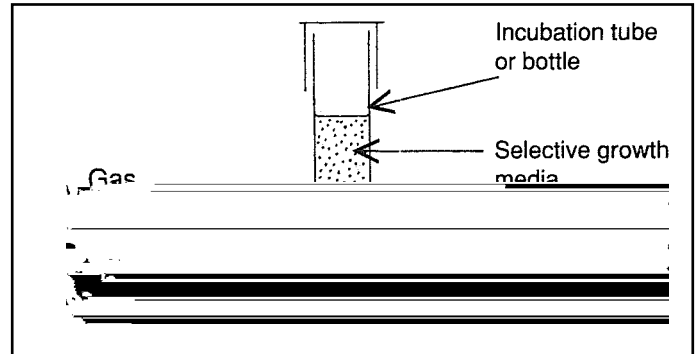


Diagram D

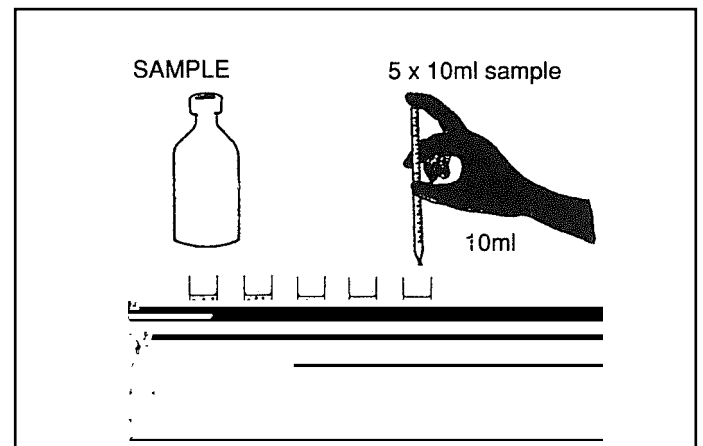


Diagram E

Incubators

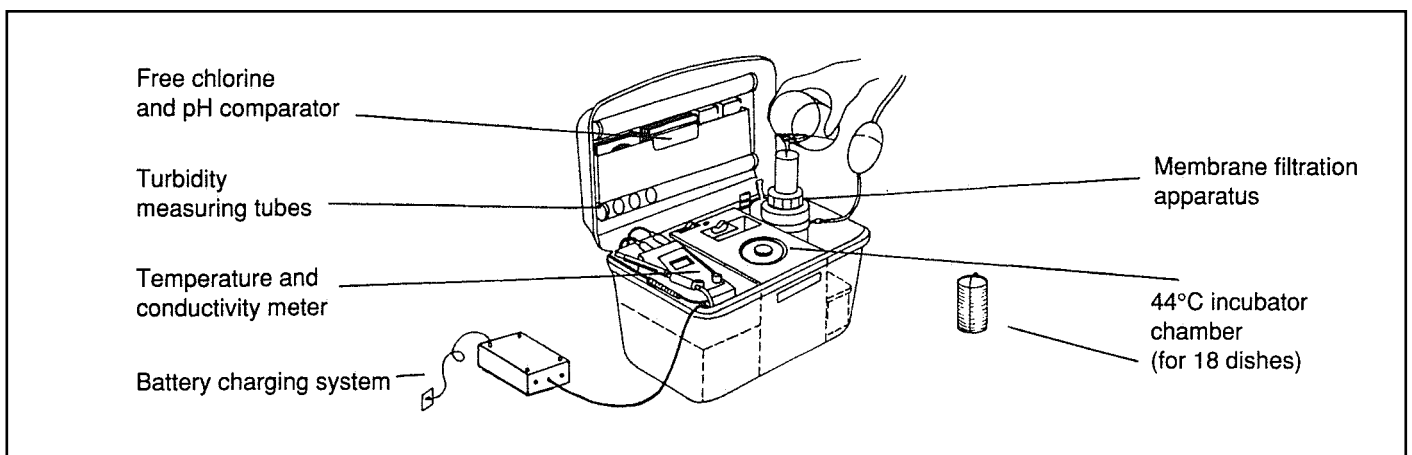


Diagram F

Autoclaves

Membrane filtration apparatus

General hygiene and cleanliness

Samples

B 0.

References and further reading

/ / , E ,1 , , ,
,1 0.
, , , , , ,1 .
, B E D , , ,1 2.
, ,F D C , , ,1 .
1 . , , F . , , .01 0, ,
, D , V . , , ,1 .